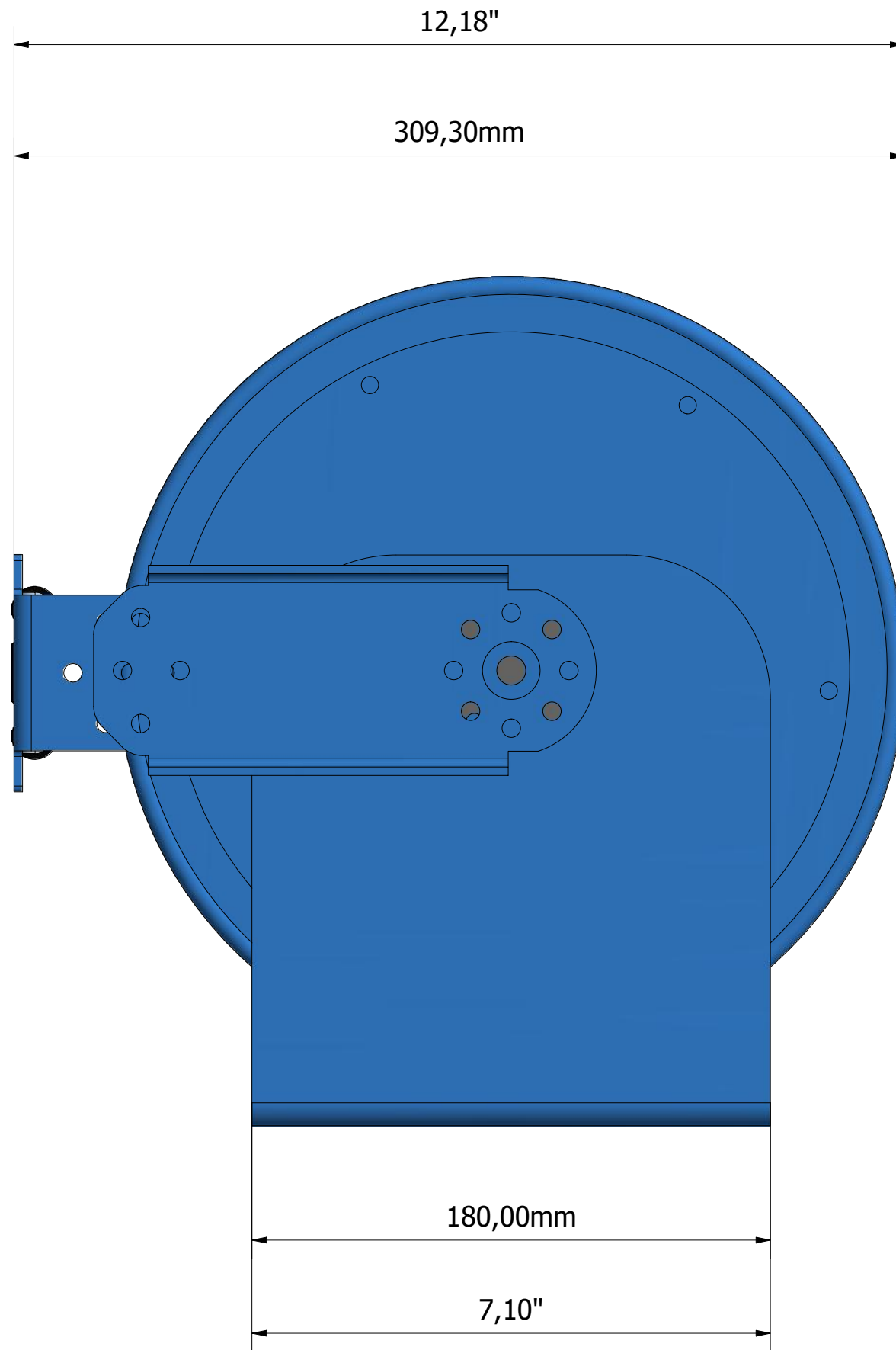


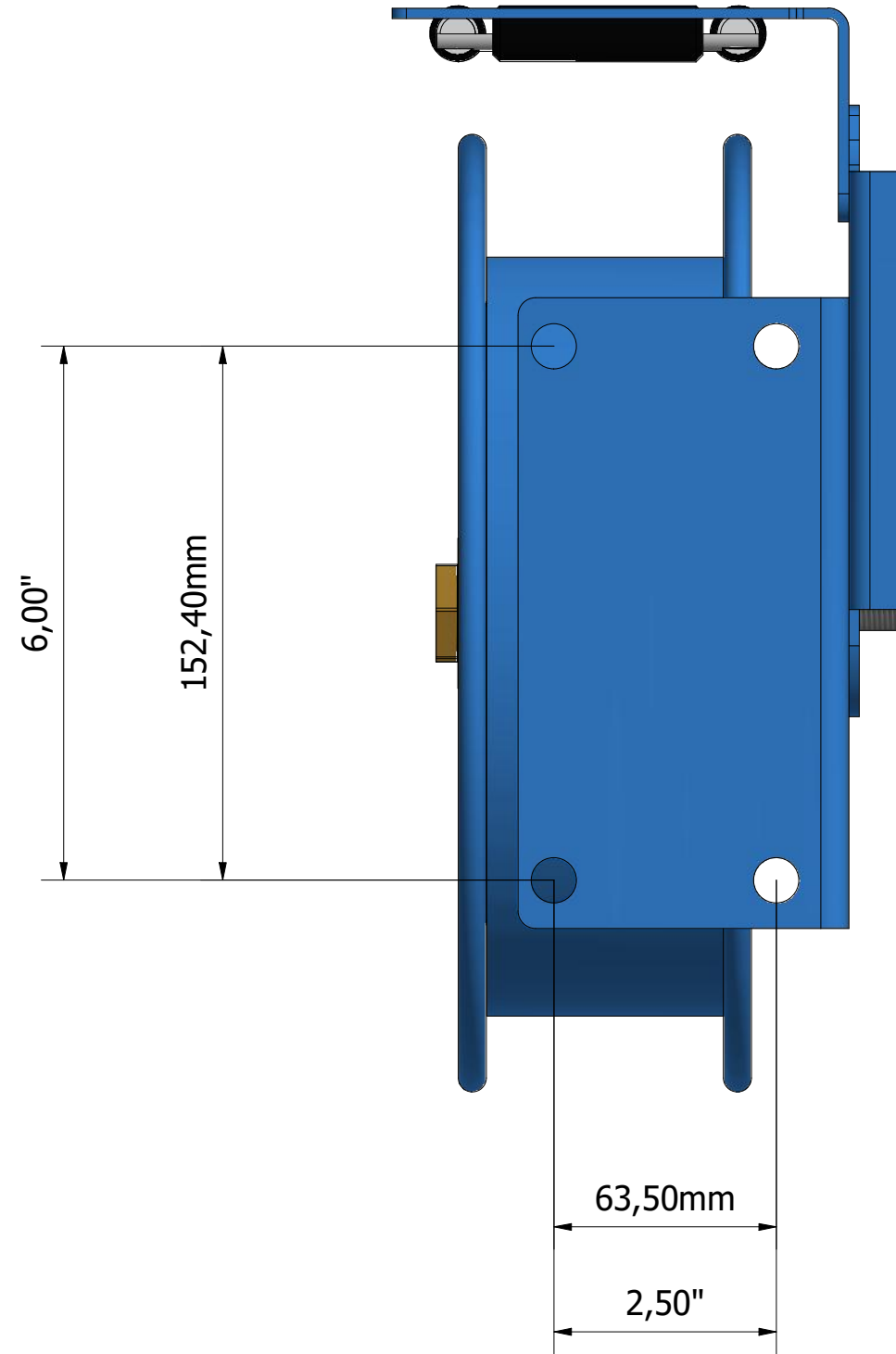
P.O Box 83603, South Hills, 2136  
11 Steele Street, Steeledale, JHB  
Tell: +27 (011) 613-3046  
Fax: +27 (011) 613-3695  
Reg. No: 1995 / 001176 / 07

Designed by Emmanuel		Checked By		Approved by client		This dwng. is the property of Cobra Reeling and may not be used or reproduced without their permission		Date 2020/10/13		Net Matl. Mass N/A	
Date 2020/10/13		Date		Date							
Qty	Matl.	Sheet Size A3		Folder P:\Design\Reeling\Library\Projects\Hose Reel Catalogue Drawings\MPX-HPG-09_04\MPX-HPG-09_04.idw							
				Drawing No. MPX-HPG-09_04		Rev No.				Sheet Nr 1 of 3	



P.O Box 83603, South Hills, 2136  
11 Steele Street, Steeledale, JHB  
Tell: +27 (011) 613-3046  
Fax: +27 (011) 613-3695  
Reg. No: 1995 / 001176 / 07

Designed by Emmanuel		Checked By		Approved by client		This dwng. is the property of Cobra Reeling and may not be used or reproduced without their permission		Date 2020/10/13		Net Matl. Mass N/A	
Date 2020/10/13		Date		Date							
Qty	Matl.	Sheet Size A3		Folder P:\Design\Reeling\Library\Projects\Hose Reel Catalogue Drawings\MPX-HPG-09_04\MPX-HPG-09_04.idw							
				Drawing No. MPX-HPG-09_04		Rev No.				Sheet Nr 2 of 3	



P.O Box 83603, South Hills, 2136  
 11 Steele Street, Steeledale, JHB  
 Tell: +27 (011) 613-3046  
 Fax: +27 (011) 613-3695  
 Reg. No: 1995 / 001176 / 07

Designed by Emmanuel		Checked By		Approved by client		This dwng. is the property of Cobra Reeling and may not be used or reproduced without their permission		Date 2020/10/13		Net Matl. Mass N/A	
Date 2020/10/13		Date		Date							
Qty	Matl.			Sheet Size A3		Folder P:\Design\Reeling\Library\Projects\Hose Reel Catalogue Drawings\MPX-HPG-09_04\MPX-HPG-09_04.idw					
				Drawing No. MPX-HPG-09_04				Rev No.			
								Sheet Nr 3 of 3			